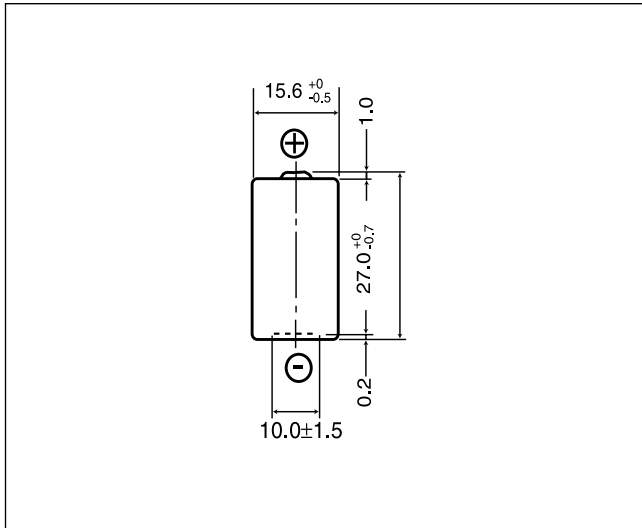


## CR2

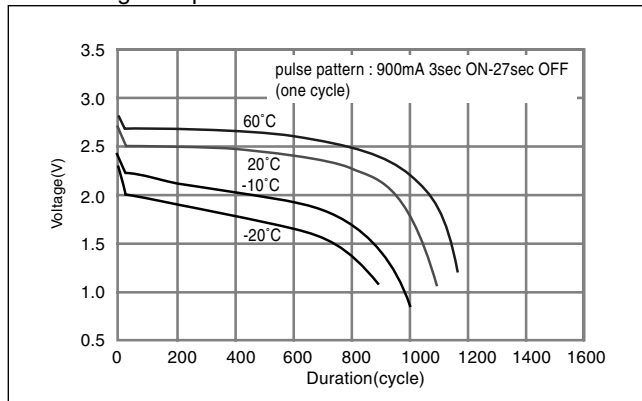
### ■ Dimensions(mm)



### ■ Specification

|                                  |             |
|----------------------------------|-------------|
| <b>Nominal voltage(V)</b>        | 3           |
| <b>Nominal capacity(mAh)</b>     | 850         |
| <b>Continuous drain(mA)</b>      | 20          |
| <b>Operating temperature(°C)</b> | -40 to +70* |

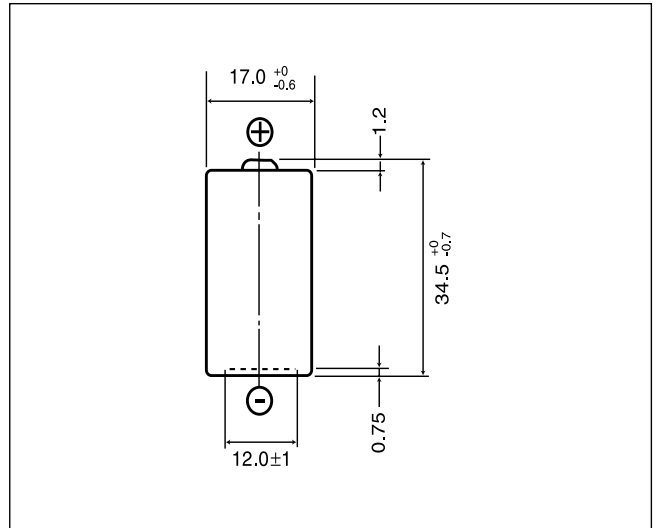
### ■ Discharge temperature characteristics



\* Please consult Panasonic for use below and above -20°C to +60°C.

## CR123A

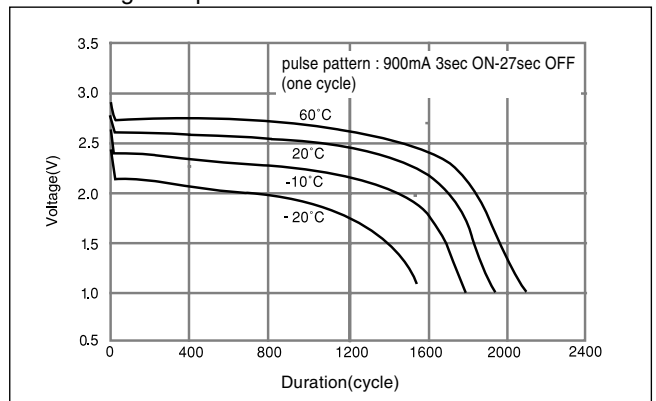
### ■ Dimensions(mm)



### ■ Specification

|                                  |             |
|----------------------------------|-------------|
| <b>Nominal voltage(V)</b>        | 3           |
| <b>Nominal capacity(mAh)</b>     | 1,400       |
| <b>Continuous drain(mA)</b>      | 20          |
| <b>Operating temperature(°C)</b> | -40 to +70* |

### ■ Discharge temperature characteristics



\* Please consult Panasonic for use below and above -20°C to +60°C.