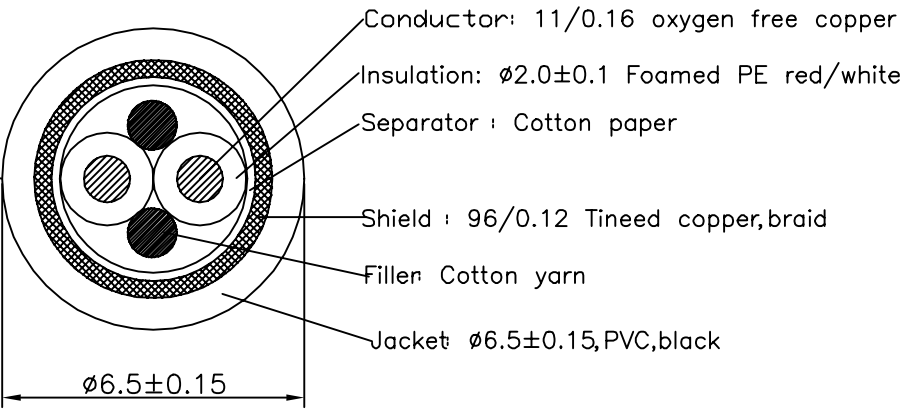
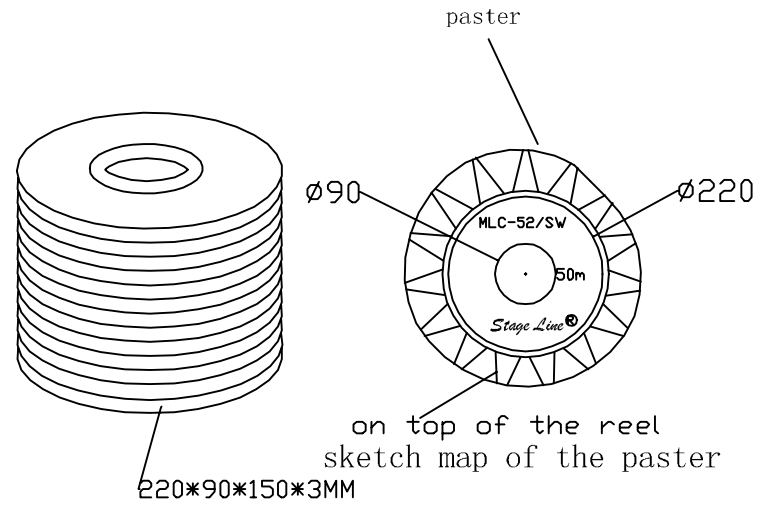


REV	DESCRIPTION	SIGNATURE	DATE
A	INITIAL RELEASE	WANGWJ	2004.11.10

(LOGO) Stage Line® HIGH QUALITY
LOW NOISE CABLE-OFC1M ▶◀ (Print:Silve)



CABLE CONSTRUCTION



resistance:3.898ohm(50m)

No	PART No.	COMPONENTS	QTY	MATERIAL	FINISH	TITLE			DRAWING No.		SHEET
						UNIT	SCALE	TOL UNLESS NOTED	APPROVED	CHECKED	DRAWN
						MLC-52			MLC-52		1/1
						mm	free	±0.1			WANGWJ
											2004.11.10