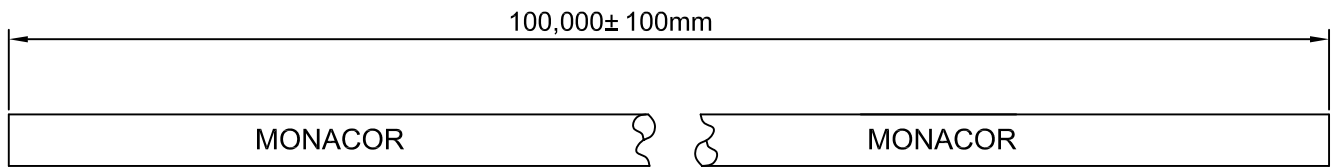


Client: SMARVO (MONACOR HK)

Item No: MC-102/SW

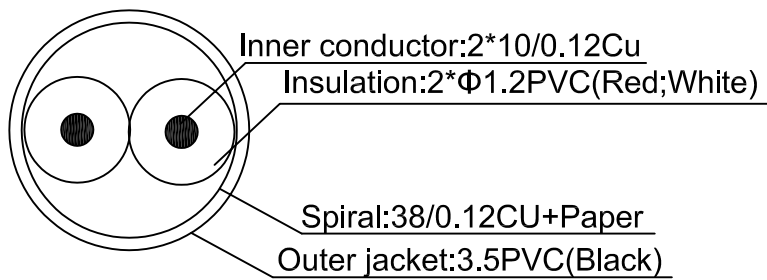
UNIT: mm

Production outlines:

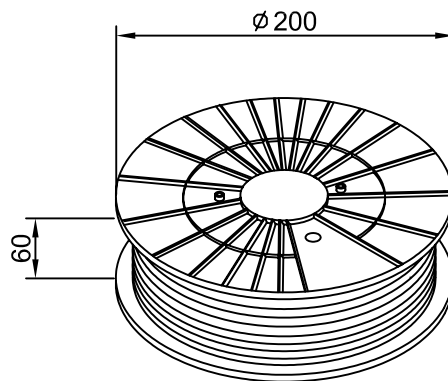


Cable print: MONACOR

Structure of cable:



Packing:



Designed by	Checked by	Approved by-date	Date	Scale
Cherry				
Edition	Sheet	MODEL: MC-102/SW		JESMAY